

TXD3

Cell Smear Centrifuge



Instruction Manual


(Read the Instructions Carefully before Operation)

Catalogue

1、 Attention for safety.....	3
1.1 Attention for installation and maintenance	3
1.2 Attention for electric system.....	3
1.3 Attention for fireproofing	3
1.4 Attention for safe operation	4
1.5 Attention for safety in chemistry and biology	4
2、 Symbols and meanings.....	5
3、 Application and scope.....	5
4、 Work theory.....	5
5、 Classify and name.....	6
5.1 Classify	6
5.2 Name	6
6、 Main technical parameters	6
7、 Features.....	7
8、 The structure of main machine, control board and accessory.....	7
8.1 The structure of main machine.....	7
8.2 Control board	7
8.3 Accessory.....	9
9、 Installation and adjustment.....	9
9.1 Installation and its requirements	9
9.1.1 Installation requirements.....	9
9.1.2 Install centrifuge	10
9.2 Adjust centrifuge	10
10、 Operation.....	10
10.1 Check the rotor and tube.....	10
10.2 Install rotor.....	10
10.3 Add liquid for centrifuge and place it	11
10.4 Close the door lid	11
10.5 Set speed and time	11
10.6 Start and stop	11
10.7 Take out the centrifugal tube	12
10.8 Uninstall the rotor	12
11、 Service and maintenance	12
12、 Common trouble and trouble shooting.....	13
13、 Transportation and storage.....	14
13.1 Transportation	14
13.2 Storage	14
14、 Warranty.....	15
15、 Packing list.....	16
16、 Qualified certificate.....	17

Attached: Diagram of electric system connection

1、 Attention for safety

 **Attention for safety** clarifies the requirements of safe operation in the instruction manual. Please carefully read it before installation, operation, maintenance and repairing. Understanding the warning and correct operation can avoid the personal injury and the damage of centrifuge.

1.1 Attention for installation and maintenance

- The rotor accessory and package may be placed in the centrifugal chamber. You should open the door lid for checking when installing.
- In the machine maintenance process, the parts that need remove cover may cause electrical shock or personal injury. Ensure that the power has been cut off and the power line has been removed from the socket, and qualified staff manipulates it.
- The replaced part must be consistent with the requirements of this centrifuge.

1.2 Attention for electric system

- To reduce the risk of electric shock, the centrifuge adopts the plug with three points which must connect with the socket with ground lead.
- Make sure if the wall socket is connect with the ground wire. The voltage of power supply must accord with the voltage of centrifuge.
- Don't use the power adapter from three hole to two hole.
- It is forbidden to use the expanding socket with two lines or all-purpose power adaptor without ground wire.
- Don't put container with liquid on the centrifuge or around the centrifuge. If the container is knocked over, the liquid will infiltrate into centrifuge and damage the electrical or mechanical parts.

1.3 Attention for fireproofing

- Please use the overload fuse with same model and specification.
- The centrifuge is not designed for the flammable and explosive matters. You cannot make centrifugation for the matters (chloroform, acetaldehyde), and cannot put the

matters in the centrifuge or store them around centrifuge within 30cm.

1.4 Attention for safe operation

- Please use the rotor and accessories which are designed for this centrifuge.
- Make sure if the centrifugal chamber is cleaned before operation.
- Make sure if the screw (nut) of the rotor in the centrifugal chamber has been screwed down before operation.
- Not exceed its max speed of rotor during operation.
- Don't decelerate rotor speed or stop by hand.
- Don't hold or move centrifuge when rotor is rotating.
- If the glass test tube is cracked in centrifuge chamber, please carefully check and clean the gasket and centrifugal chamber because the glass fragment may have inserted into their surface.
- Don't open the door lid of centrifuge in the running status.
- The distance between centrifuge and other objects must be kept 30cm during operation. You should not stand around centrifuge within 30cm unless adjusting it. Anything is not allowed to enter into centrifuge during operation.



1.5 Attention for safety in chemistry and biology

- The routine manipulation may include all kinds of liquid and test sample which may be the disease-causing and poisonous matters. The centrifuge can not be manipulated with the matters unless you have taken the protection measures.
- Please pay attention to the liquid explanation in container before operation.
- Be careful of the infectious liquid. If not understanding the provided sample, please at least make sure that they aren't microbe. You must make further aerosol protection (the suspended speck in the air, such as smoke and fog.) for the easier disease-causing hepatitis virus(B or C), HIV, atypical mycobacteria and the fungus of physical structure.
- The infectious samples must be manipulated according to the manipulating program and method in lab for avoiding expanding disease.

- The spilt matters may produce aerosol (the suspended speck in the air, such as smoke and fog.) , so please pay attention to the warning about aerosol (the suspended speck in the air, such as smoke and fog.)
- Only use the suitable rotor and adaptor. The centrifuge can not be manipulated with disease-causing, poisonous or radioactive matters unless you have take the protection measures. When the second type of hazardous substances (according to “Laboratory Biosafety Manual” of the World Health Organization.) is manipulated, the air safety level must be monitored. The superior substances require a higher level of safe protection measurements.
- You should follow the environment security and protection requirements when destroying the discarded liquid.

Users have the responsibility to clean and sterilize centrifuge and accessory if you need maintenance service from our company.

2、 Symbol and its meanings

No.	Symbol	GB No.	Meanings
1	~	4706.1	Alternating current
2		5465.2	Power on(general supply)
3	○	5465.2	Power off (general supply)
4		4728.2	Protective earthing(ground)
5		4793	Warning!

Form 1

3. Application and scope

TXD3 cell smear centrifuge makes use of centrifugal settling to separate, purify and condense the granule. It can be widely used in the fields of clinical medicine, biochemistry, genetic engineering and radioimmunology. It is ideal equipment for scientific research institute and hospitals.

4、 Working Theory

Centrifuge makes use of the strong RCF that centrifuge rotates with high speed

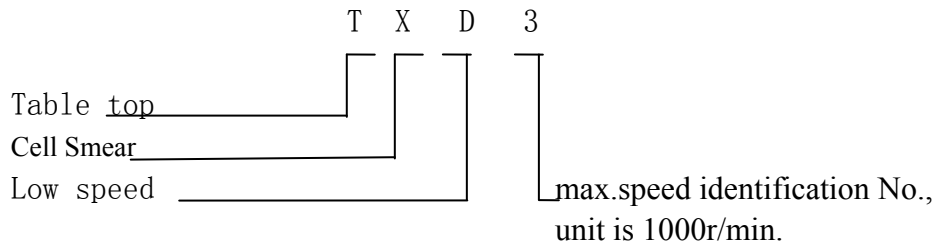
in order to accelerate the settling speed of the granule in the liquid, and separate, condense and purify the matters with different settling coefficient and density.

5、Classify and Name

5.1 Classify

- It belongs to Class 1 of medical laboratory equipment according to the management of “The Classified Catalogue of Medical Devices”.
- It belongs to Class 1 of ordinary equipment with protective grounding according to the protection against electric shock.
- It belongs to tabletop centrifuge according to the structure.
- It belongs to low speed centrifuge according to the rotating speed.

5.2 Name



TXD3 cell smear centrifuge whose Max.speed is $3 \times 1000\text{r/min}$, is driven by DC brushless motor.

6、Main technical parameters

Max.speed	3000r/min
Max.RCF	$730 \times g$
Max.capacity	$6 \times 0.1 - 0.5\text{ml}$
Speed Accuracy	$\pm 50\text{r/min}$
Time range	$0 \sim 99\text{min}$
Power supply	$\sim 220\text{V} \quad 50\text{Hz} \quad 3\text{A}$
Noise	$< 65\text{dB (A)}$
Dimension	$280\text{mm} \times 300\text{mm} \times 270\text{mm} \quad (\text{W} \times \text{D} \times \text{H})$
Package Dimension	$330 \text{ mm} \times 380 \text{ mm} \times 290 \text{ mm} \quad (\text{W} \times \text{D} \times \text{H})$
Weight:	GW: 16 Kg NW: 15 Kg
Environment requirements:	

Temperature: 10°C~35°C

Relative humidity: ≤85%

7、Features

- Microprocessor control
- Touch panel and digital display
- The speed is controlled by PWM with high speed accuracy.
- It is controlled by DC brushless frequency conversion electromotor with low-noise and vibration. It runs without carbon dust pollution, which can meet the requirements of lab.
- Adopt special shock isolator for ideal effect of vibration damping, with the function of automatic balance.

8、The structure of main machine and control board and accessories

8.1 The structure of main machine

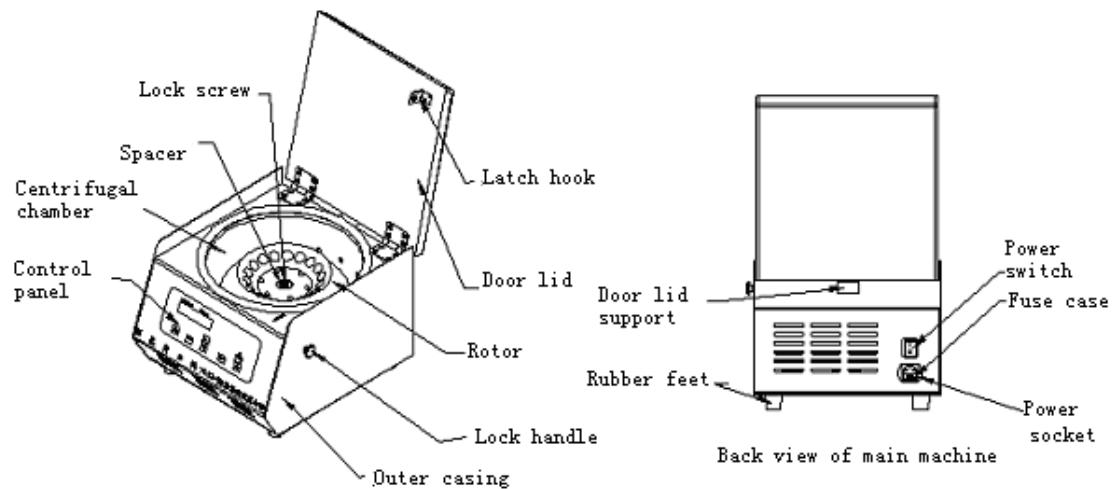


Diagram 1: Outside view of main machine

TXD3 cell smear centrifuge is composed of the main machine and accessories. The main machine is composed of case, drive system, control system and the part of manipulation display. The rotor and centrifugal tube (bottle) belong to accessory.

8.2 Control board

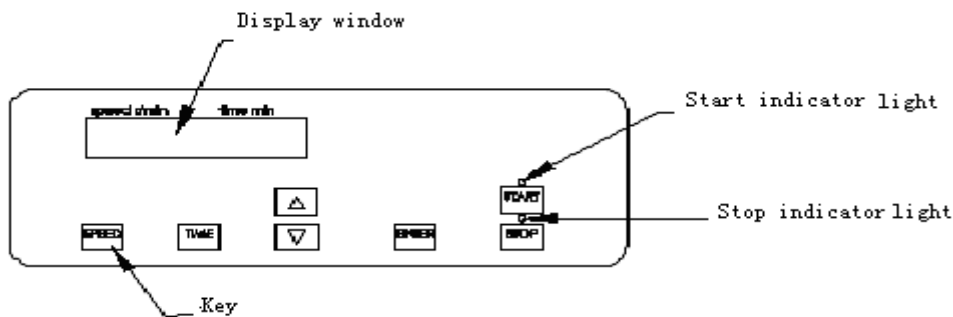


Diagram 2

Display window:

SPEED r/min:

Speed display window displays the setting or working speed.

TIME min:

Time display window displays the setting or working time.

Press key function:

SPEED:

Press [SPEED] to set speed.

TIME:

Press [TIME] to set time.

▲:

Increase key. Press “▲” to accelerate the setting parameter value.

▼:

Decrease key. Press “▼” to decelerate the setting parameter value.

ENTER:

Press [ENTER] to confirm the setup working parameter value.

START:

Press [START] to operate after setting and confirming the parameters or repeating the setup parameters last time.

STOP:

The key to stop. When the centrifuge is working(the set of time isn't counted

down to “0”), you can stop it by manual.

The function of indicator lights:

[START] indicator light: The [START] indicator light is on, which means that the centrifuge has started and in the running status.

[STOP] indicator light: The [STOP] indicator light is on which means [STOP] is pressed or the work time is counted down to “0”. The centrifuge is slowing down for stopping or has stopped.

8.3 Accessory


Rotor	Max.speed (r/min)	Capacity (ml)	RCF ($\times g$)
Rotor	3000	$6 \times 0.1 - 0.5$ ml	$730 \times g$

Form 2

9、Installation and adjustment

9.1 Instrument installation and its requirements:

9.1.1 Installation requirements:

 Warning: Don't install centrifuge in the place with flammable and explosive matters. The flammable and explosive gas comes into the running centrifuge, which may lead to fires.

- The centrifuge should be installed on the flat and solid platform.
- The large free space should be kept around the two sides and back of centrifuge for heat dissipation for ventilation.
- It is prohibited to put lab equipment with large heating production and strong vibration around centrifuge.
- The working environment temperature is 10°C to 35°C , and the relative humidity is no more than $\leq 85\%$.
- The requirement of power supply: $\sim 220\text{V } 50\text{Hz}$

9.1.2 Install centrifuge

- Open the outer package, carefully take out the centrifuge with foam package, then put it on the even platform and take off the foam package. The four rubber feet of centrifuge should touch with platform evenly.
- Pull the door lid handle outward, then uplift the door lid until it is hold by door lid support.
- Check the main machine, accessory, attached tools and documents according to the packing list.
- You should confirm that the voltage of the power supply should be consistent with the voltage the centrifuge requires. (Check the marking beside the electric outlet on centrifuge back, and the instrument's power requirement is AC 220V 50Hz with single phase and three wires.) Connect the power cord(three wires and 10A) to the electric outlet on centrifuge back first, then put the plug on the other end into the external electric supply socket. Press one side marked "1" on the switch to power on.
- If there are any electronic problems, it should be repaired by the professional technicians.

9.2 Centrifuge adjustment

According to the operation steps of Chapter 10, first run with low speed, and gradually accelerate to the max.speed. If no abnormal phenomenon happens, you have succeeded in adjustment.

10、 Operation

10.1 Check the rotor and tube: You should carefully check the rotor, tube or test bottle before operation. It is forbidden to use the cracked and damaged rotor, tube or test bottle. Otherwise, all damages should be borne by user.

10.2 Install Rotor: Aim the slot on the bottom of rotor central hole to the horizontal slot on drive shaft, then place the rotor on drive shaft and make the slot in the pin. Then put on a spacer and make the lock screw into tapped hole on the top of drive

shaft, tighten it with screw driver.(The rotor has been installed before delivery, and please check whether the lock screw is tighten.)

10.3 Adding liquid and placing of the centrifugal tube: Put centrifugal tubes with adding liquid into the centrifugal tube of rotor and tubes should be placed symmetrically in even number. Otherwise, there will be vibration and noise because of imbalance.

10.4 Close the door lid: Press down the door lid

10.5 Set speed and time

(1)、**Speed set:** Press the “**SPEED**” key (the radix point in speed window is lighting)and then press the key “▲”or “▼”to set the desired speed for operation.(Max speed is 3000r/min)

(2)、**Time set:** Press the “**TIME**” key (the radix point in time window is lighting) and then press “▲”or “▼”to set the operation time (Max time set is 99min, count down)

(3)、After finishing the above two steps, press [ENTER] to confirm the setting speed and time parameters.



The rotor is not allowed to running in excess of its max speed. Otherwise, all damages caused by above misoperation should be borne by user.

10.6 Start and stop

(1)、**Start:** Press [START] to run centrifuge and the [START] indicator light is on.

You should confirm if the rotor is fixed on the drive shaft before operation.

(2)、**Automatic stop:** When time is counted down to “0”, the centrifuge automatically slows down and stops running, and the [STOP] indicator light is on.

(3)、**Stop by manual:** In the running status (the working time isn’t counted down to “0”), press [STOP] to slow down and stop running, and the [STOP] indicator

light is on.

10.7 Take out the rotor: When the rotor stops rotating, press the switch with the mark“○” to cut off the power, then open the door lid and take out the centrifugal tubes.

10.8 Uninstall the rotor: When replacing the rotor, you should uninstall the used rotor (unscrewing the bolt with screwdriver and take out the rotor after removing spacer.)

⚠ Don't hold or move the centrifuge during operation.

⚠ Don't open the door lid when rotor is rotating.

11、 Service and maintenance

- Please wipe up the rotor with neutral cleaning mixture after taking out for avoiding corrosion and then stock it at dry and ventilated place. Central hole in rotor should be smeared some lubricating oil for protection.
- All action on rotor should be soft, and rotor should be taken out vertically for protecting the shaft.
- Please wipe up the water in centrifuge chamber if it is leaving unused for long time. Some lubricating oil should be smeared on drive shaft for protection.
- Replace fuse
 - (1) Cut off the power, and unplug the plug the power cord connected with the external electric supply socket. Then draw another end of the power cord connected with the centrifuge.
 - (2) There is a fuse case equipped on the under part of electric outlet on instrument back. (See figure 3) There is a marking for fuse symbol, and find the V-shape slot on fuse case. (See figure 4) Pull out the fuse case with slotted point screw driver into the V-shape slot.
 - (3) Take out the damaged fuse and replace it. The model of fuse of the centrifuge is BGXP 5×20 、 250V 2A.

(4) Put the fuse case into electric outlet.

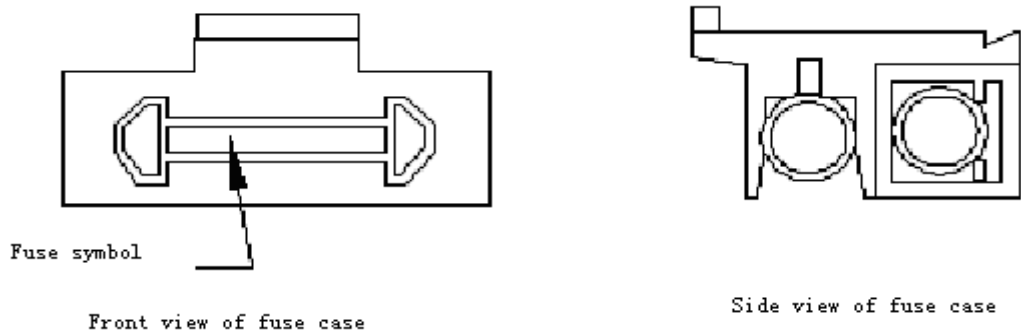


Figure 3

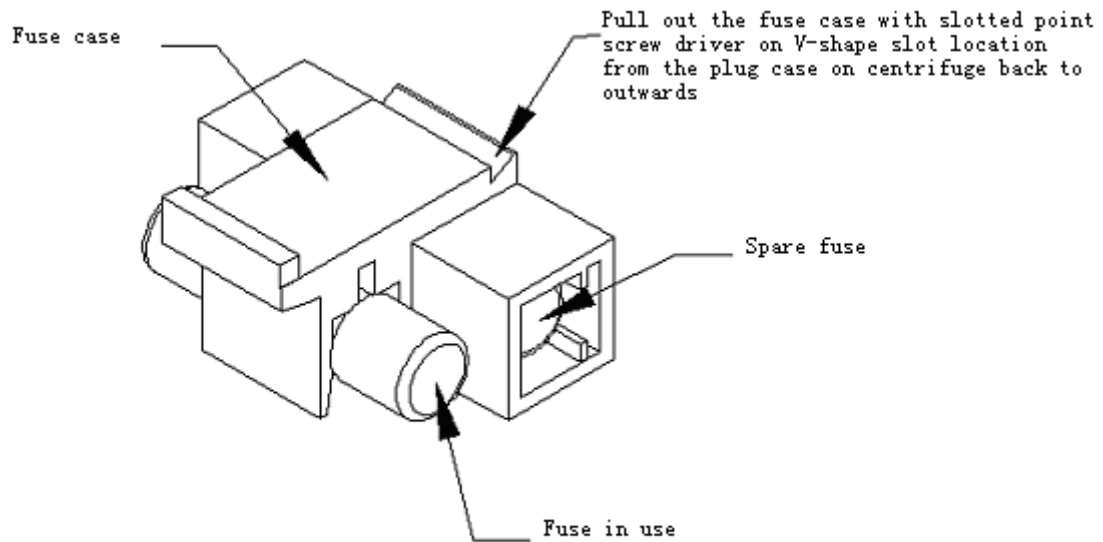


Figure 4

12、 The common trouble and trouble shooting

Trouble	Cause	Removal
No display	The power supply is not connected.	Check the power supply
	The fuse is damaged.	Check and replace it.
The centrifuge can't rotate	The connectors to circuit board is loosened	Connect it properly
	The power transformer is broken.	Replace
	The motor is powered on, but it doesn't	Replace motor

	work. The motor is damaged.	
Abnormal vibration of the centrifuge	The tube in the rotor is not arranged symmetrically.	Check
	The centrifugal tube is broken.	Check and replace it.
	The rotor is not rotating.	Check
	The shock absorber is damaged	Replace

Form 3

If the centrifuge still can not work after removing the above several troubles, please connect with our company or service stations designated by our company.

13、 Transportation and storage

13.1 Transportation

- You should use the wooden and paper case during long-distance transportation. Put centrifuge with dust cap into the case, and fill with foam or plastic shock absorption materials. It is forbidden to be hit, inverted, rolled and soaked by rain and snow.
- You can directly move the centrifuge in room, but avoid big vibration, hitting and inversion.

13.2 Storage

- If it is leaving unused for long time, you should open the door lid and store it in ventilated, dry and clean room where there is no corrosive, flammable and explosive matters.
- As the technology continuously renews, please consult us if there is something unconformable with this instruction manual.

Warranty

Respected customers,

Thank you for purchase of our company's products. To protect your legal rights and avoid your worries, we provide warranty service for one year with the main machines. If it is broken under warranty with inartificial reason, we will supply free maintenance service. The customer needs to pay an amount of money if the product has exceeded the warranty period. We will not supply free maintenance if any following matter is happened:

- Exceed of the warranty period or without the warranty card.
- The trouble is caused by wrong installation, operation and maintenance.
- The trouble is caused by the unauthorized uninstalling and repairing by our company.
- The trouble is caused by using the rotor not equipped with this centrifuge.
- The trouble is caused by war, natural disasters or other irresistible factors.

Packing List

Item	No	Name	Quantity	Unit	Remark	Check
Main machine	1	TXD3 centrifuge	1	set		
	2	Fuse BGXP 5×20	2	pc	250V 5A	
Option	3	Power cord	1	pc		
	4					
	5					
	6					
Attached tool	1	Cross screw driver 150mm	1	pc		
	2					
	3					
Attached file	1	Packing List	1	copy		
	2	Instruction Manual	1	copy		
	3	Qualified Certificate	1	copy		
	4					

Checker: _____

__Day __Month __Year

Quality Certificate

Product Name: TXD3 Cell Smear Centrifuge

Serial No.: _____

This production is tested to be qualified for delivery.

Checker: _____

__Day __Month __Year